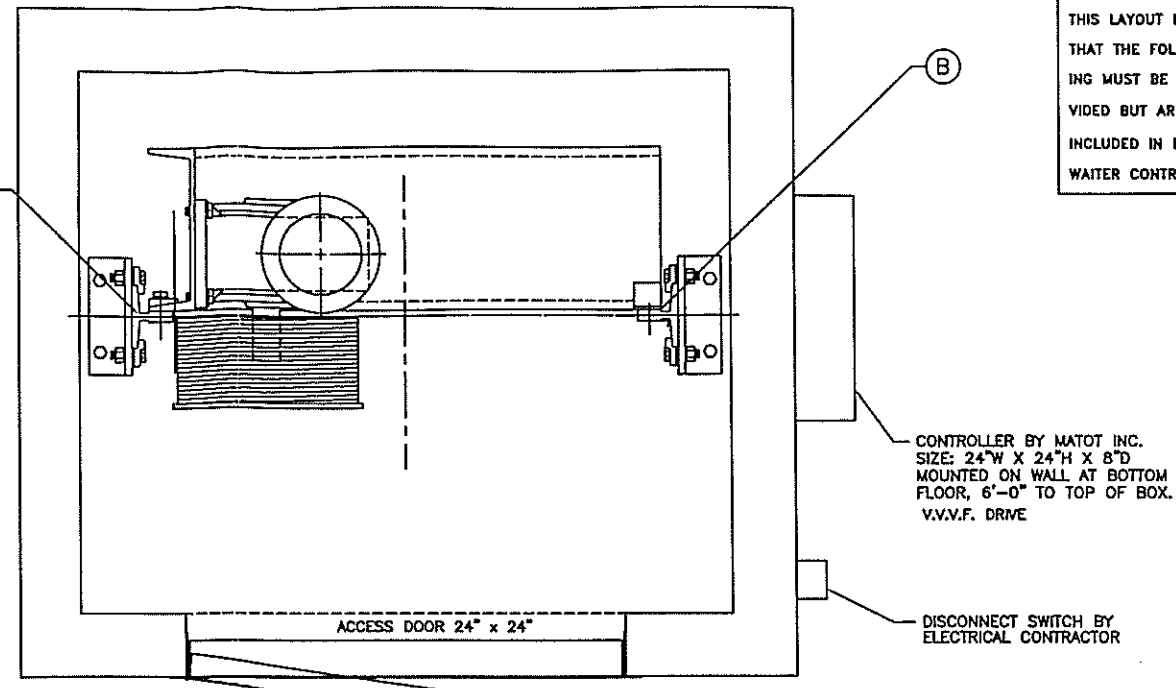


SECTION A-A
SCALE: NONE

NOTE: MINIMUM WALL THICKNESS REQUIRED FOR U.L. LABEL DOOR IS 3 1/2"

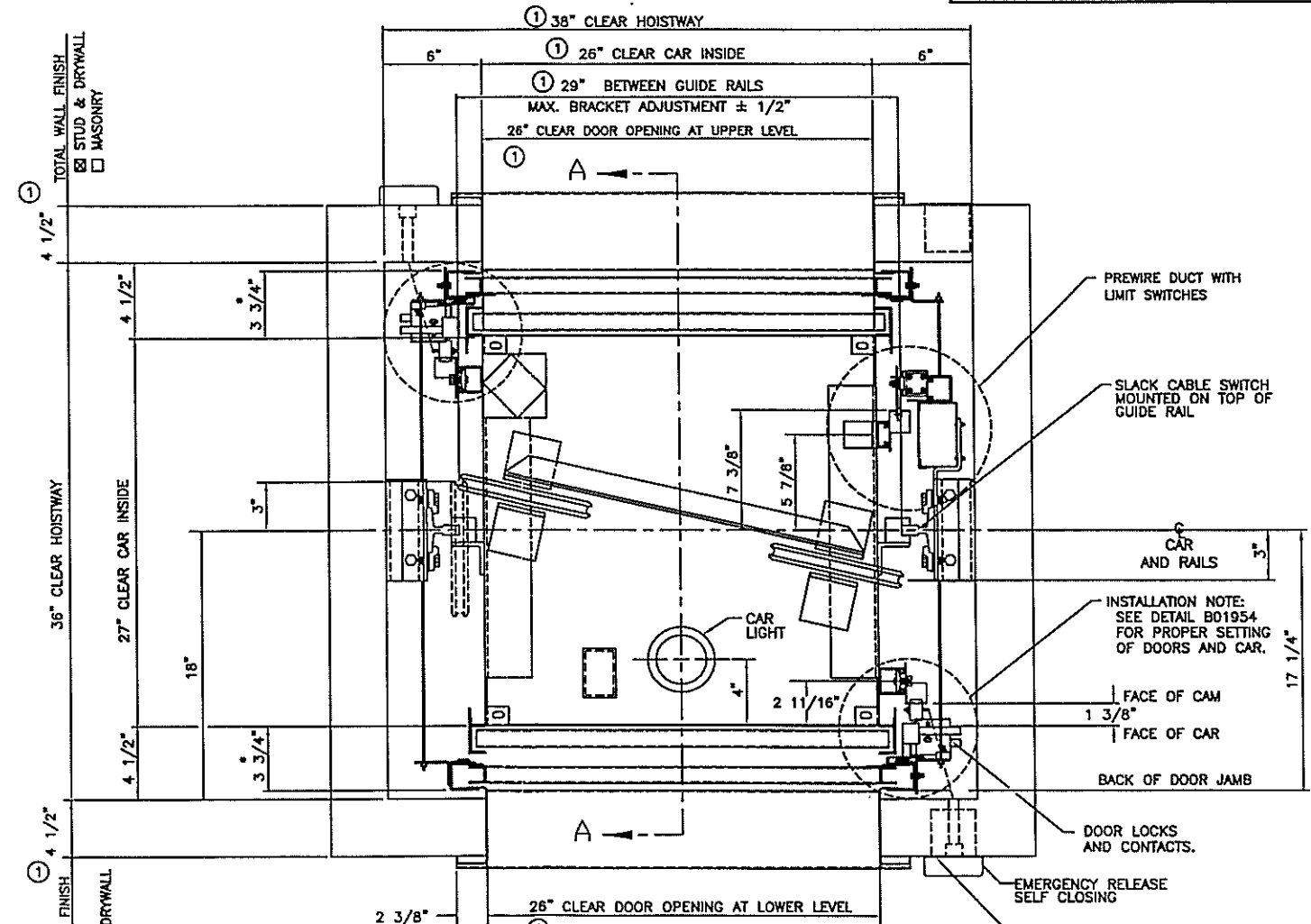
INSTALLATION NOTES:

- 1) NORMAL LIMIT SWITCHES EVEN WITH CAR TOP. FINAL LIMITS 4" BEYOND NORMALS.
- 2) TOTAL RAIL LENGTH 17'-5 1/2". STACK MALE END UP, 7'-5 1/2" SECTION AT BOTTOM.
- 3) RAIL BRACKETS AT EACH FLOOR, 16'-8 1/2". TOTAL 6 BRACKETS.
- 4) HOISTWAY DOOR WALLS MUST NOT BE ERECTED UNTIL DOORS ARE SET IN PLACE.
- 5) THIS DIMENSIONS PROVIDES 1/2" CLEARANCE AT DOOR LOCK KEEPER AND GATE TRACK AND 1 1/8" FROM GATE FACE TO REAR DOOR PANEL.
- 6) SOLID STOPS LOCATED AT 15'-8 1/4".



MACHINE PLAN
SCALE: NONE

MATOT EQUIPMENT IS MANUFACTURED TO THE LATEST EDITION OF ANSI A17.1 CODE. IT IS THE RESPONSIBILITY OF THE PURCHASER TO CONFIRM COMPLIANCE WITH ANY LOCAL STATE OR CITY CODES.



COMPOSITE FLOOR PLAN
SCALE: NONE

IMPORTANT:
BEFORE APPROVING THIS LAYOUT NOTE THAT THE FOLLOWING MUST BE PROVIDED BUT ARE NOT INCLUDED IN DUMBWATER CONTRACT:

GENERAL NOTES

- a. Power feed with line disconnect switch must be brought to immediate vicinity of our controller.
- b. Hoistway free of all pipes and obstructions.
- c. All bracket fastening inserts and other steel required for support of guide rail and brackets, or tower to be furnished by others.
- d. Self-supporting tower units to be installed before hatch walls are erected.
- e. All truckable units require 2" deep pockets for trucking tills.

WEIGHT OF MACHINE (PART)	195 LBS.
WEIGHT OF CAR (PART)	560 LBS. (INCLUDES CAPACITY)
REACTIONS	
A 775 LBS. (STATIC)	D
B 400 LBS. (STATIC)	E
C 50 LBS. (LATERAL)	F
OPENINGS : TWO (2) LOCATED OPPOSITE SIDES OF HOISTWAY	
STOPS : TWO (2) LOCATED ABOVE FLOOR LEVEL	
MISC. PREWIRED UNIT #3	
V.V.V.F. DRIVE	
SHELF	<input checked="" type="checkbox"/> REMOVABLE 1-REQD.
CAR MATL.	<input checked="" type="checkbox"/> CARBON STEEL <input checked="" type="checkbox"/> FINISH: AIR DRIED GREY ENAMEL
CABLE SIZE	<input checked="" type="checkbox"/> 3/16x7x19 1-REQD. <input checked="" type="checkbox"/> BREAKING STRENGTH 4200 POUNDS
CAR GATES	<input checked="" type="checkbox"/> CARBON STEEL <input checked="" type="checkbox"/> BI-PARTING 2-REQD.
DOORS	<input checked="" type="checkbox"/> FINISH: AIR DRIED GREY ENAMEL <input checked="" type="checkbox"/> U/L B LABEL <input checked="" type="checkbox"/> CARBON STEEL <input checked="" type="checkbox"/> BI-PARTING 2-REQD.
SILLS	<input checked="" type="checkbox"/> COUNTER HEIGHT C/S
ACCESS & CLEAN-OUT DOOR	<input checked="" type="checkbox"/> CARBON STEEL <input checked="" type="checkbox"/> U/L B LABEL FINISH: AIR DRIED GREY ENAMEL
HOISTWAY EQUIP.	<input checked="" type="checkbox"/> TEE RAIL 6 #
CAR SAFETY:	NONE
CWT. SAFETY:	NONE
BUFFERS:	NONE
MACHINE DESIGN	<input checked="" type="checkbox"/> DRUM BELOW (10" DIA) <input checked="" type="checkbox"/> DRUM PD1052LP, REDUCER 930CD 50:1 <input checked="" type="checkbox"/> CO1925 MOTOR TO BE USED, 2HP-3PH
H.P. 2	VOLTS 208 PH. 1 CYL. 60 AMPS.
OPERATION:	SINGLE AUTOMATIC CALL AND SEND STARTING: 72 V.V.V.F. RUNNING: 13
CONTROL	<input checked="" type="checkbox"/> SINGLE SPEED <input checked="" type="checkbox"/> DOOR OPEN BUZZER
SIGNALS	<input checked="" type="checkbox"/> IN USE LIGHT <input checked="" type="checkbox"/> CAR HERE LIGHT AND CHIME

CAPACITY	250 LBS.	F.P.M. 50	TRAVEL 8'-7 1/2"
TYPE DUMBWAITER:	ELEC. MODEL # 100		
PROJECT	IMPERIAL OIL MASKWA PLANT TOOL CRIP		
ARCHITECT			
GENERAL CONTRACTOR			
CONTRACT WITH ACCESS 2000 WHEEL CHAIR LIFTS, SASKATOON, SK			
REVISIONS	DATE	PC	DATE
(1) PER APPROVED PRINTS	10/15/08	PC	
FINAL PRINTS			
MATOT, INC.			
SPECIALIZING IN		SINCE 1888	
DUMBWAITERS, BOOKLIFTS, RECORD CARRIERS, D. W. DOORS			
2501 VAN BUREN, BELLWOOD, IL 60104-2459			
PHONE: AREA CODE (708) 547-1888			
PRELIM. PRINT 09/24/08 FINAL 10/15/08 DRAWN BY JAL CHECKED			
JOB No.	SHEET	OF	DRAWING No.
126754	1	2	DB-126754