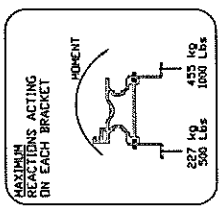


SL1000

GENERAL
 CLASSIFICATION: STAIR LIFT
 MODEL: SL1000
 CAPACITY: 158 kg (350 Lb)
 SPEED: 0.1 m/sec (20"/min)
 POWER SUPPLY: 110V/15A/60Hz SINGLE PHASE
 MOTOR: 1/2 HP-24 VDC / 110V AC CHARGER
 DRIVE SYSTEM: RACK AND PINION
 CONTROLLER
 MODEL: MS125
 TYPE: CPFS
 C UL us#: 20090909-SA12702
 CONTROL VOLTS: 24VDC
 MFR: CONTROLLED SPEED ENGINEERING LTD

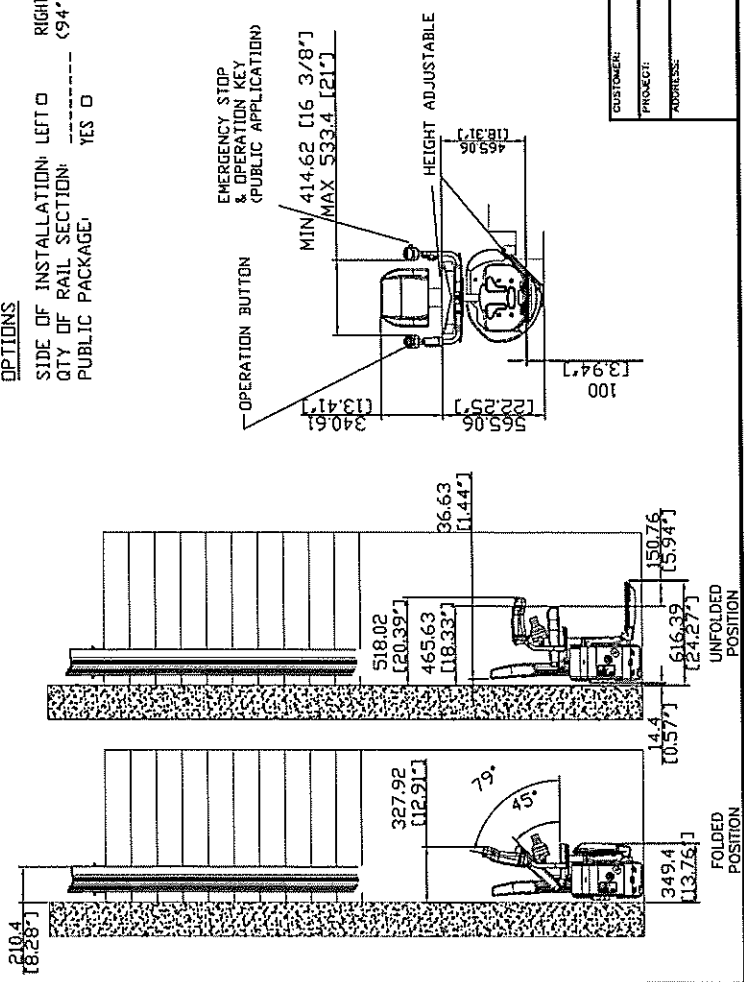
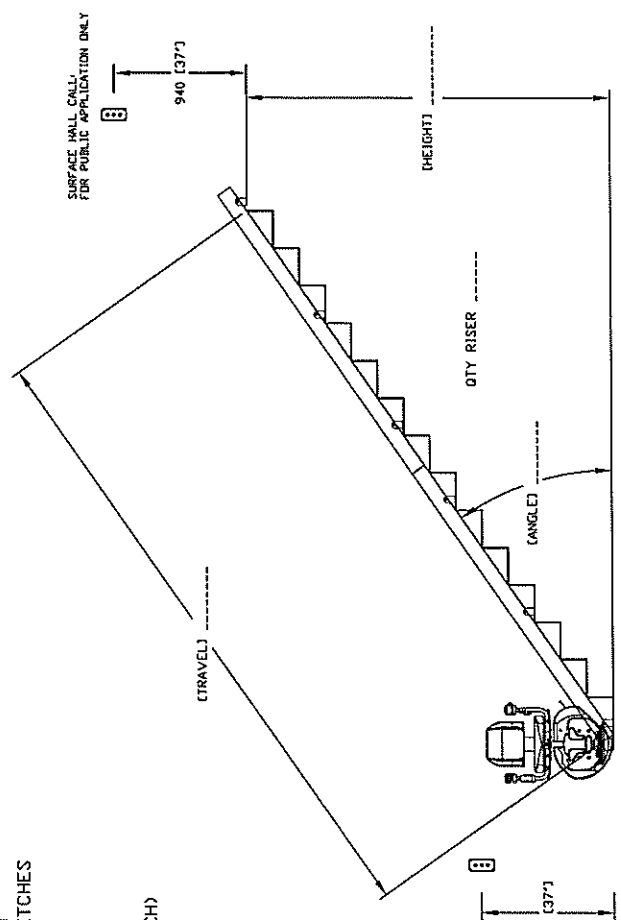
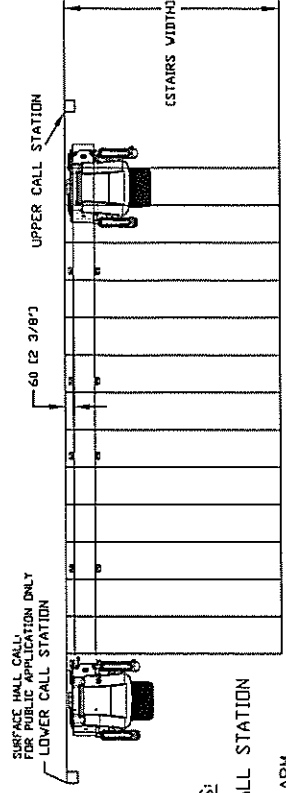
ANCHORING
 WOODEN THREAD ANCHOR EACH BRACKET SET USING MINIMUM OF 4X 9/16 X 2" WOOD SCREW
 REINFORCED CONCRETE ANCHOR EACH BRACKET SET USING A MINIMUM OF 4X SLEEVE ANCHORS 1/4"-2"
 METAL PLATE / BLOCK ANCHOR EACH BRACKET SET USING A MINIMUM OF 4X TRU BOLT 1/4"
 BRACKET POSITION: WITHIN 18 INCHES (457) OF EACH END OF EACH SECTION OF TRACK IN THE CENTER OF EVERY SECTION OF TRACK LONGER THAN 4 FEET
 SUPPORT LOAD DIAGRAM

PUBLIC PACKAGE INCLUDES:
 -KEYED SURFACE MOUNT CALL STATION
 -OVERSPEED GOVERNOR
 -EMERGENCY STOP WITH ALARM
 -IN USE LIGHT AND ALARM (ONTARIO ONLY)
 -2252 ON/OFF KEY
 -FOLDING ARM SWITCHES



OPTIONS
 SIDE OF INSTALLATION: LEFT RIGHT
 QTY OF RAIL SECTION: _____ (94" EACH)
 PUBLIC PACKAGE: YES NO

SPECIFICATIONS
 ANGLE OF STAIRCASE: 25° TO 45°
 LENGTH OF STAIRWAY: MAX 384"
 LOCATION: INDOOR
 SEAT COVERING: VINYL PUBLIC PACKAGE: BEIGE
 COLOR: A REMOTE FOR RESIDENTIAL
 CALL STATION:



Part No. SL1000
 Model No. N/A
 DATE: _____
 REVISION: _____
 DRAWN BY: ALEX B
 CHECKED BY: _____
 1 OF 1

LH SHOWN

CUSTOMER: _____
 PROJECT: _____
 ADDRESS: _____

savaria
 430 WILSON AVENUE
 MISSISSAUGA, ONTARIO L4X 1L7 CANADA
 TEL: (905) 270-8800
 FAX: (905) 270-8801
 WWW.SAVARIA.COM